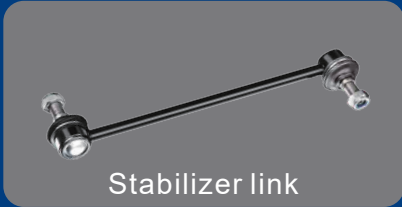


STEERING & SUSPENSION PARTS



Stabilizer link



Ball joint



Tie rod end



Tie rod axial joint



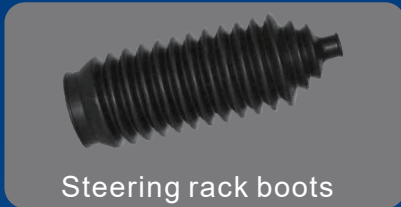
Control arm



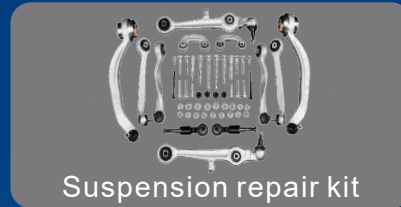
Control arm bushing



Stabilizer bushing



Steering rack boots

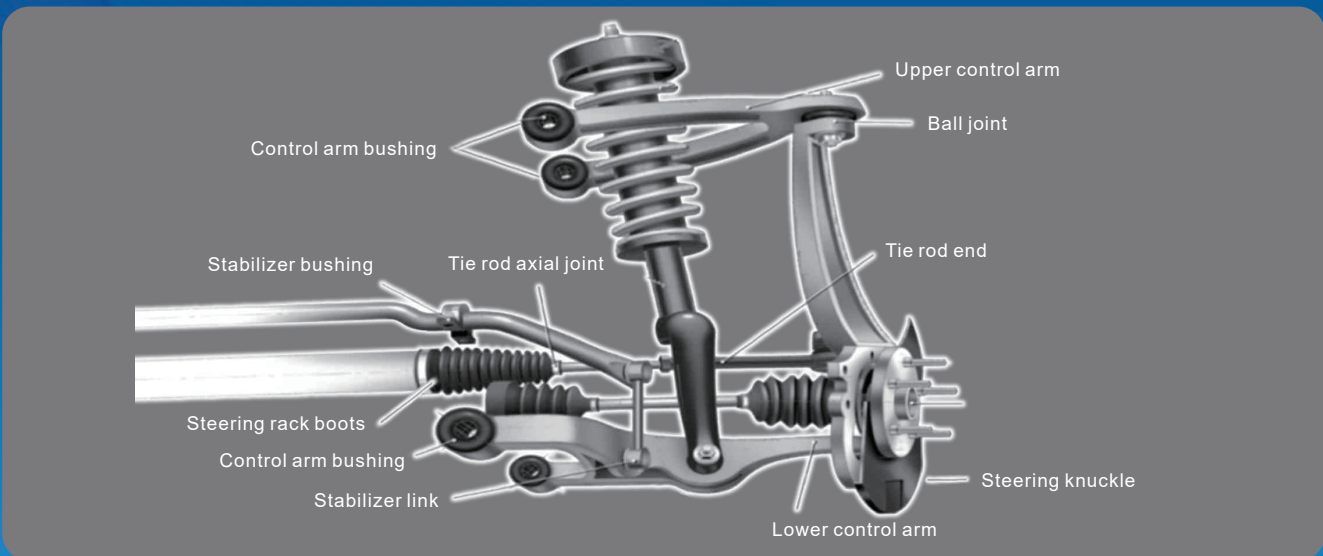


Suspension repair kit

Steering & suspension parts provide comfortable riding conditions and driving performance and helps the driver to control his vehicle. Therefore the importance of high quality is undisputed.

GSP uses exclusively high quality material and advanced equipment to ensure premium quality standards.

GSP steering & suspension range consists of more than 8.000 different items already.



GSP ADVANTAGES

A. Quality

- IATF16949 certified production system
- Quality control system in compliance with OE standard
- Premium material and advanced equipment
- Professional and experienced engineering and manufacturing team

B. Range

- More than 8.000 different items already in our range
- Monthly range extension
- More than 200 aluminium control arms which match OE specifications
- Complete suspension repair kits

C. Logistics

- Competitive MOQs for steering & suspension parts and high stock availability for fastmovers
- Professional order processing and combination of shipments with other GSP product lines

D. Catalogue

- Well-functioning catalogue system and also certified as TecDoc data supplier
- Highest TecDoc catalogue quality guaranteed by CCU system

E. Service

- Professional and multilingual service team in Europe and China
- Excellent delivery performance

